

Turnkey sensor for peening and blasting process diagnostics



ShotWatch is the ideal choice for surface treatment spray process diagnostics.

A machine vision camera with built-in diode laser stroboscope for easy set-up and instant measurements of particle statistics with entire plume density and shape analysis.

Fixed mounting makes system alignment very easy and the device is readily transferred to a new setting. The compact unit is easily installed to a spray booth or open space fixture.

Includes software for image capture, storage and on-line analysis.

ShotWatch

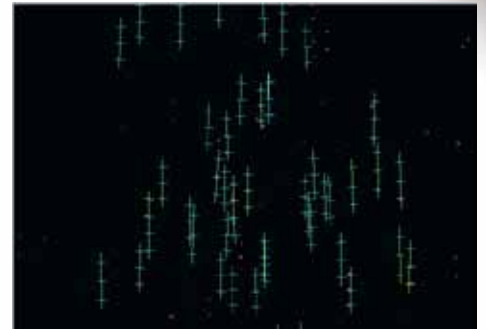
www.oseir.com

ShotWatch

System features

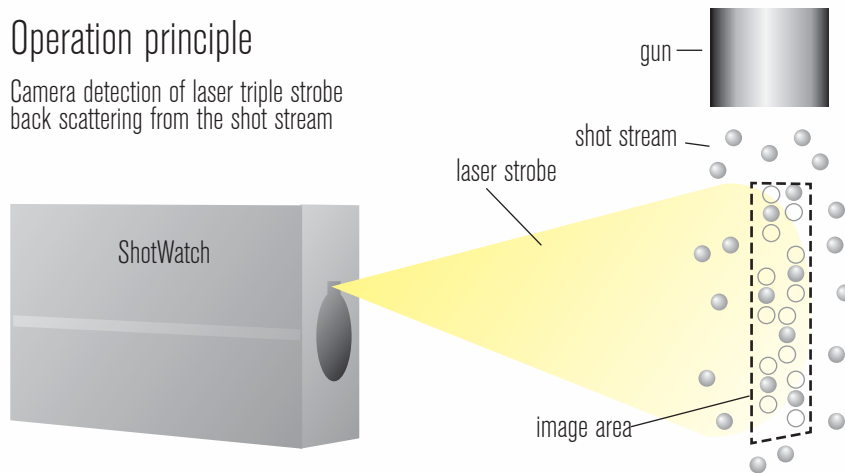
Measurements	Particle velocity, position, size
Measurement area	45x28 mm ²
Measurement depth	~ 5mm
Particle velocity range	0-500 m/s
Particle size range	30-1000 µm
Processing speed	> 10 fps
Camera resolution	1920 x 1200
Weight	0.6 kg
Control PC	Win7/10, Core i5, 4GB, USB3
Laser safety Class	3B (EN60825-1)
Cooling	Filtered compressed air

Automatic particle tracking

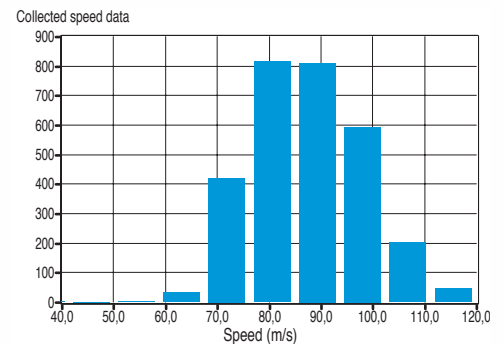


Operation principle

Camera detection of laser triple strobe back scattering from the shot stream



Particle statistics



Optical and Spectroscopic Equipment for Industry and Research

Oseir Ltd.
Ahertajankatu 17
33720 Tampere
Finland

Tel. +358-3-363 3960
info@oseir.com
www.oseir.com

